

MACT300 series

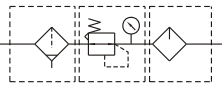
AIR UNITS (F.R.L.UNIT)



Mindman



Symbol:



Specification:

Model	MACT300	
Components	MAF300, MAR301, MAL300	
Bore No.	8A	10A
Port size	PT 1/4	PT 3/8
Medium	Air	
Operating pressure range	0~9.9kgf/cm ² (0~0.99MPa)	
Proof pressure	15kgf/cm ² (1.5MPa)	
Effective orifice	32mm ²	34mm ²
Regulation pressure range	0.5~8.5kgf/cm ² (0.05~0.85MPa)	
Ambient temperature	-5~+60°C (No freezing)	
Filtration	Standard: 5 μm Option: 40 μm	
Lubricating oil capacity	55c.c	
Min. Flow for oil drip	50 ℓ/min	60 ℓ/min
Recommended lubricating oil	Turbine oil ISO-VG32	
Attachment	Pressure gauge, T-type bracket	
Weight	1000 g	

Order example:

MACT300 — 8A — □ — T8 — BSP

MODEL

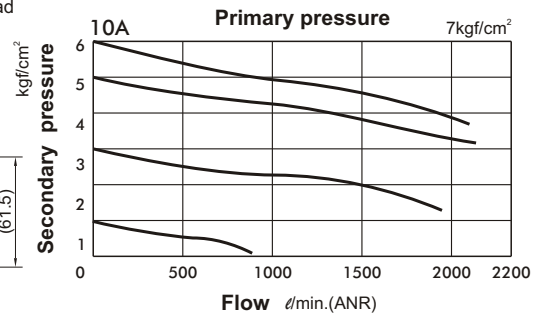
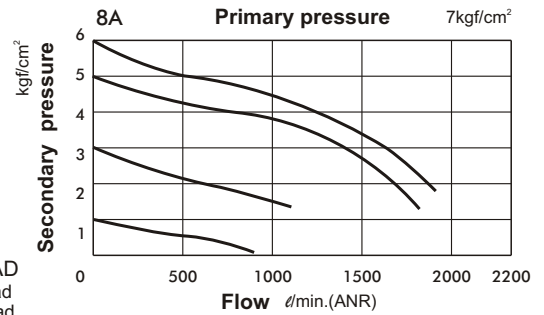
BORE SIZE
8A: PT 1/4
10A: PT 3/8

D: auto drain valve
(MADV 300)

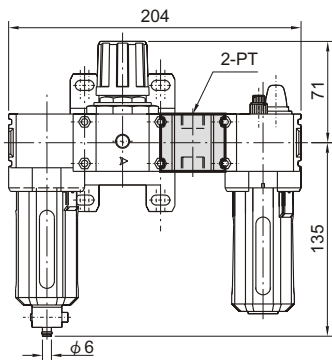
Module mounting
bracket
T8: PT 1/4
T10: PT 3/8

PORT THREAD
Blank: PT thread
BSP: BSP thread
NPT: NPT thread

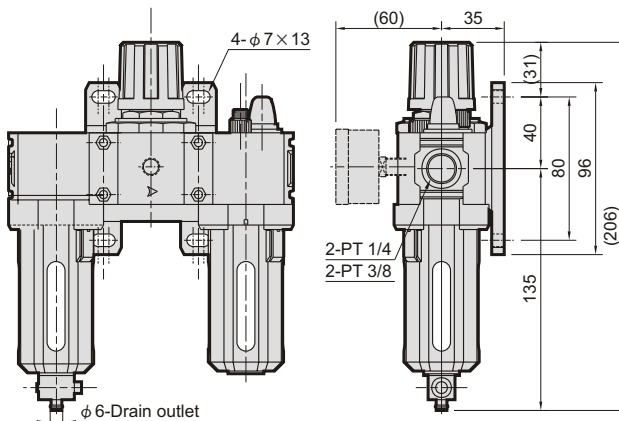
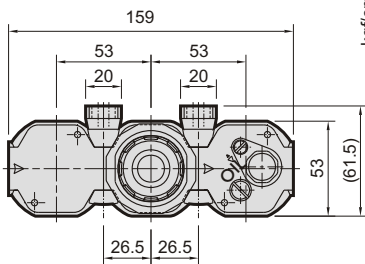
Flow feature:



Module mounting bracket MACT300-T*



	PT
T8	PT 1/4
T10	PT 3/8



φ 6-Drain outlet